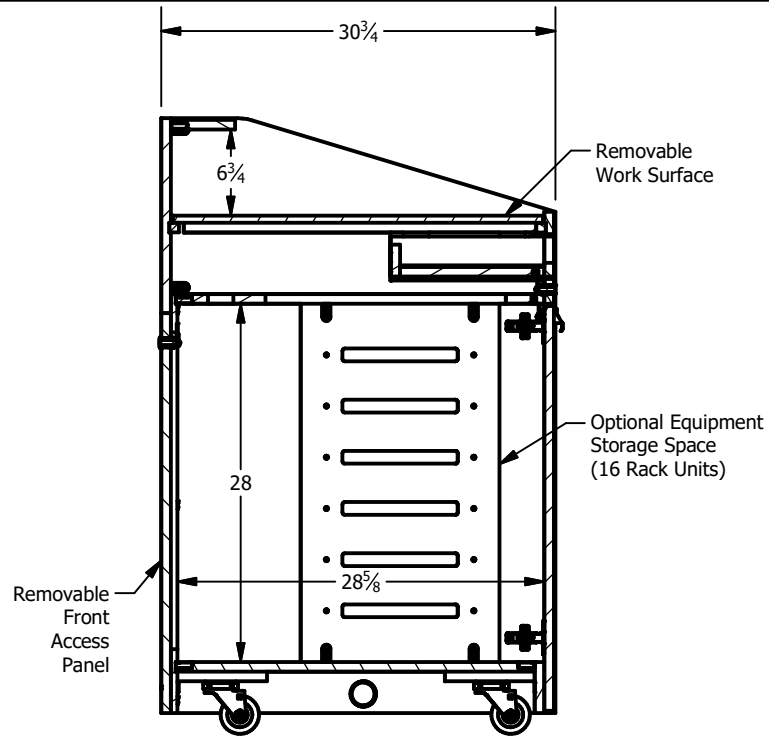
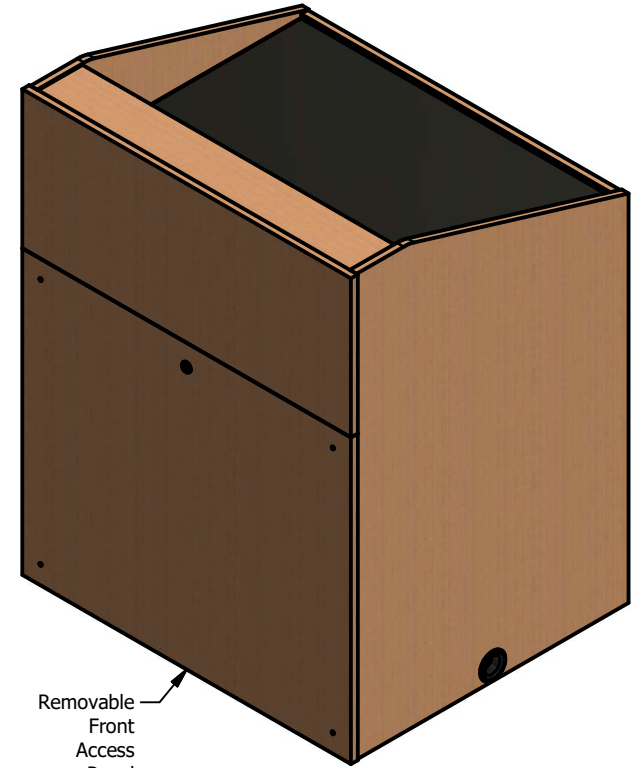


Top

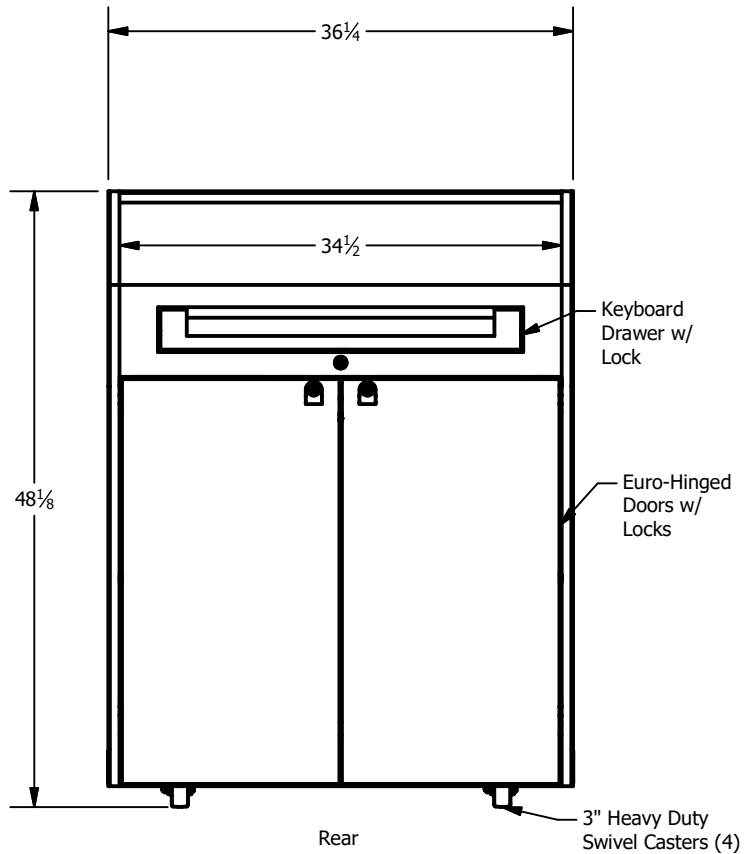


SECTION A-A
SCALE 1 / 15

Left

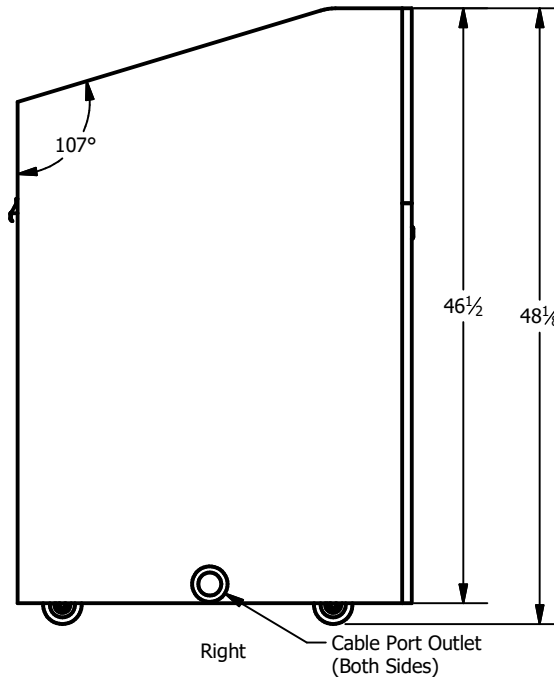


Removable
Front
Access
Panel




Rear

3" Heavy Duty
Swivel
Casters (4)



Right

Cable Port Outlet
(Both Sides)

	Sound-Craft Systems www.sound-craft.com	
	Description The Presenter (MML36) Multimedia Lectern / Podium	
	Filename MML36750 Unit.iam	Scale 1 / 15